

Quick Turn Times

No Minimum Orders

Dedicated to Accuracy

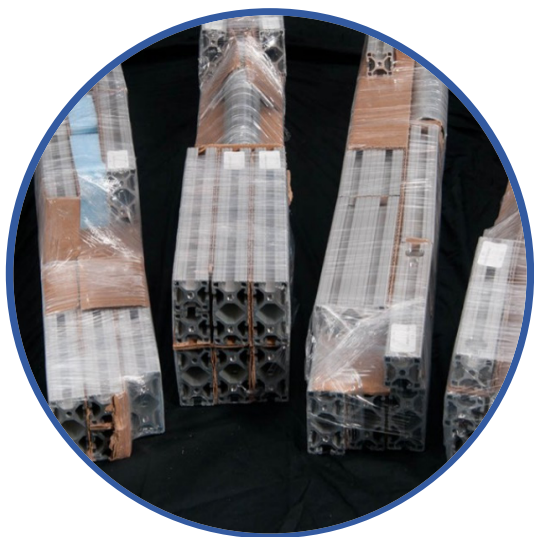
T-Slot Fab Shop

A service that saves your company time and money. Why wait weeks when you can have your T-Slot kit in just days? You provide your CAD Drawing, and we do the rest.

SIMPLE

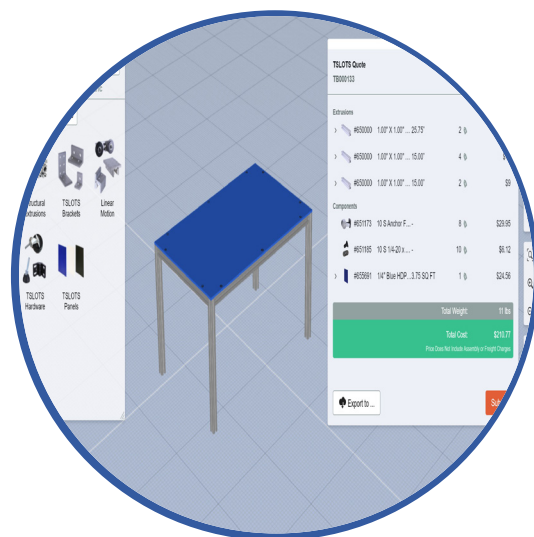
EFFICIENT

FAST



SUB-ASSEMBLIES

We machine/cut your project and package it into a simple kit for you to assemble.



TBUILD™ DESIGN SOFTWARE

TSLOTS new design software is an intuitive, easy-to-use, web-based tool that allows you to seamlessly create your design.



(303) 232-1516



social@tmmi.com

TMMi



Easy as 1,2,3...

1

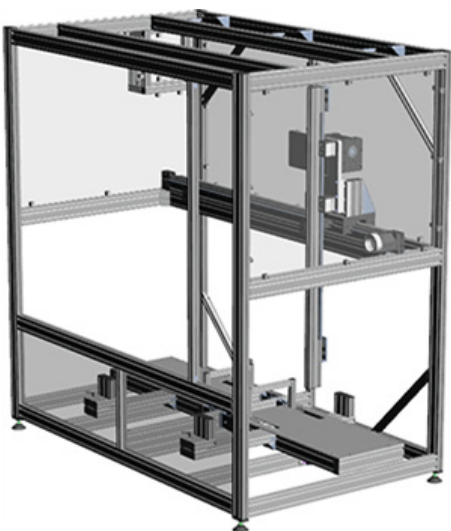
You provide your CAD file to our TMMi Team.

2

Our Cut Shop Team gets to work on your build.

3

Your order is ready and shipped to your location.



(303) 232-1516



social@tmmi.com

TMMi